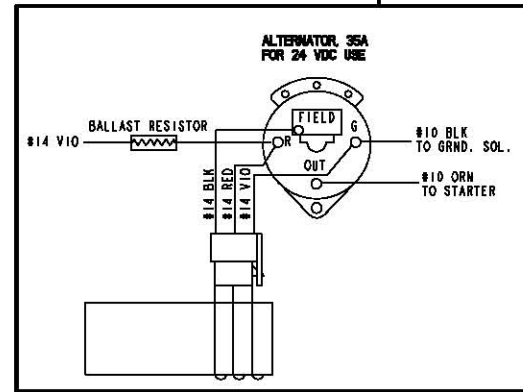
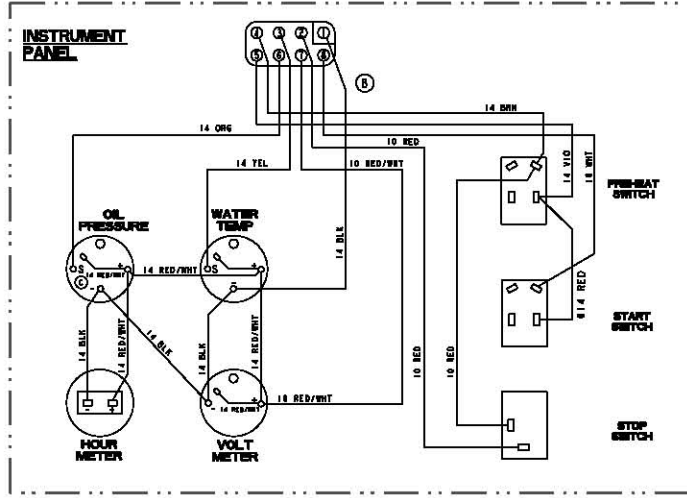
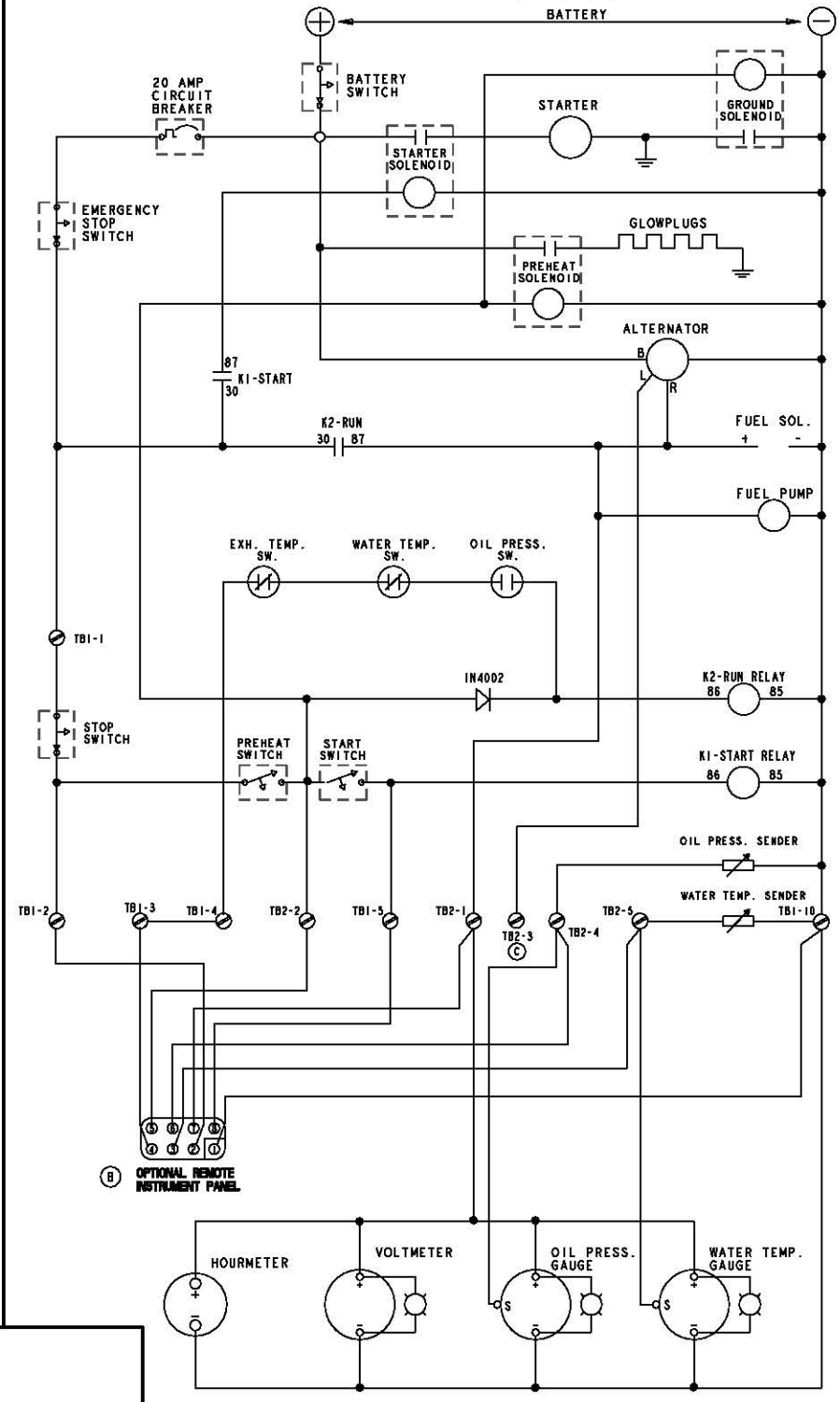
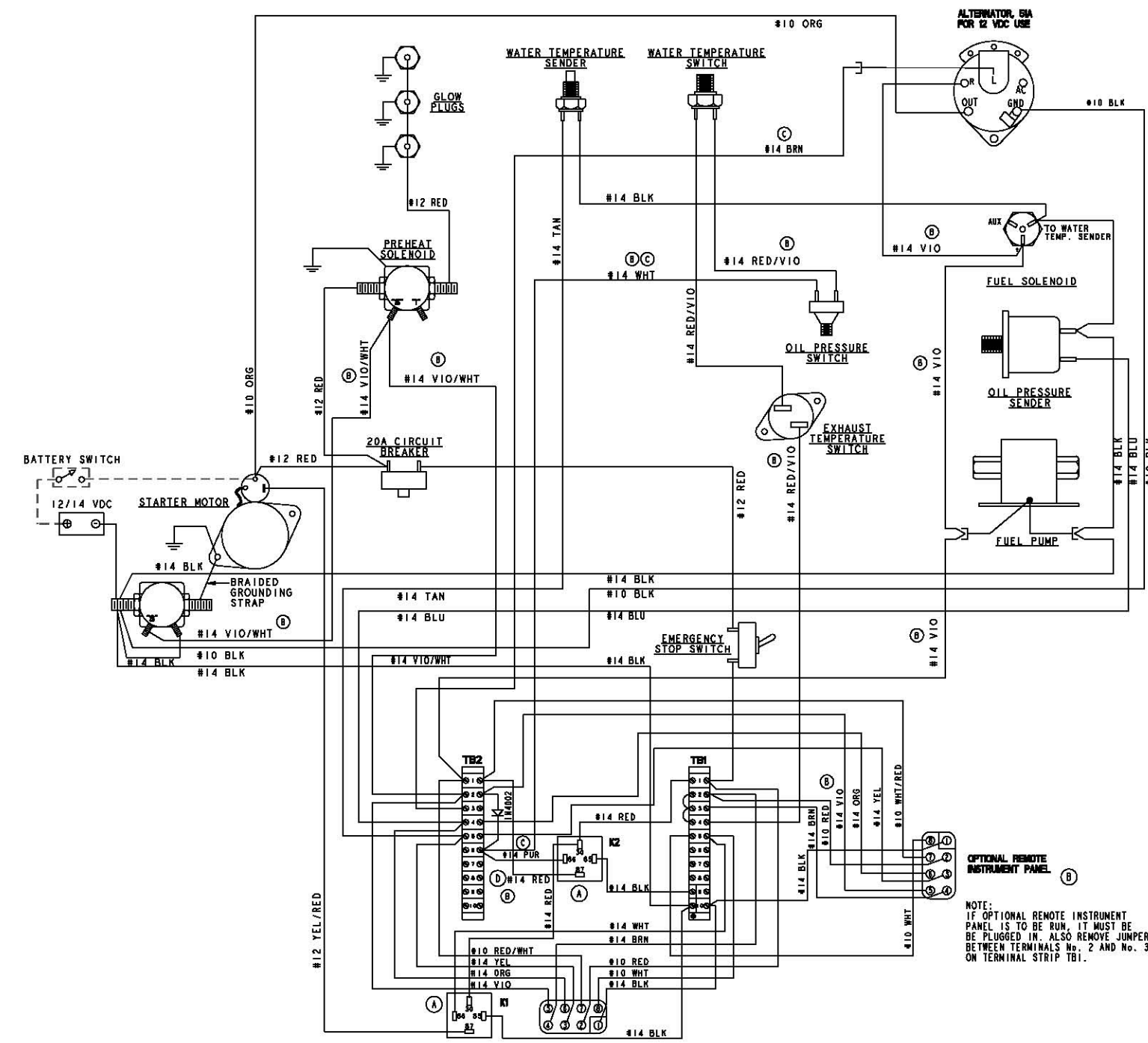


| ECO NO. | DATE | REV. | REVISION RECORD | DATE | BY |
|---------|------|------|---|------|-----|
| 3647 | 3/72 | A | ADDED 12V/14V TO PREHEAT SOLENOID CIRCUIT | | BRM |
| 3652 | 3/72 | B | ADDED TO INSTRUMENT PANEL | | BRM |
| 4206 | 9/79 | C | 12V/14V TO PREHEAT SOLENOID, 12V/14V TO ALTY. | | CEU |
| 4403 | 1/77 | D | WIRE FROM 12-27 TO TB2-1 CHANGED COLOR FROM VIO. TO RED | | MPG |



NOTES:
1. THIS DIAGRAM CAN BE USED FOR 12 OR 24 VDC SYSTEM.

| TOLERANCES | | WESTERBEKE CORPORATION | |
|-------------------------|-----------|------------------------------------|---------|
| UNLESS OTHERWISE NOTED: | | AYON, MA. 02322 | |
| INCHES: | FRACTIONS | WIRING DIAGRAM/SCHEMATIC 12/24 VDC | |
| 1/16 | ± .005 | UNGND 8, 10, 11 BTD AND 12.5 BTD | |
| 1/32 | ± .005 | DESIGNED BY: | DATE: |
| 1/64 | ± .005 | DRAWN BY: | REV.: |
| 1/128 | ± .005 | CHECKED BY: | DATE: |
| | | APPROVED BY: | DATE: |
| | | SCALE: | SIZE: |
| | | INCHES: | NUMBER: |
| | | MILLIMETERS: | REV.: |
| | | | DATE: |
| | | | 42645 |
| | | | D |